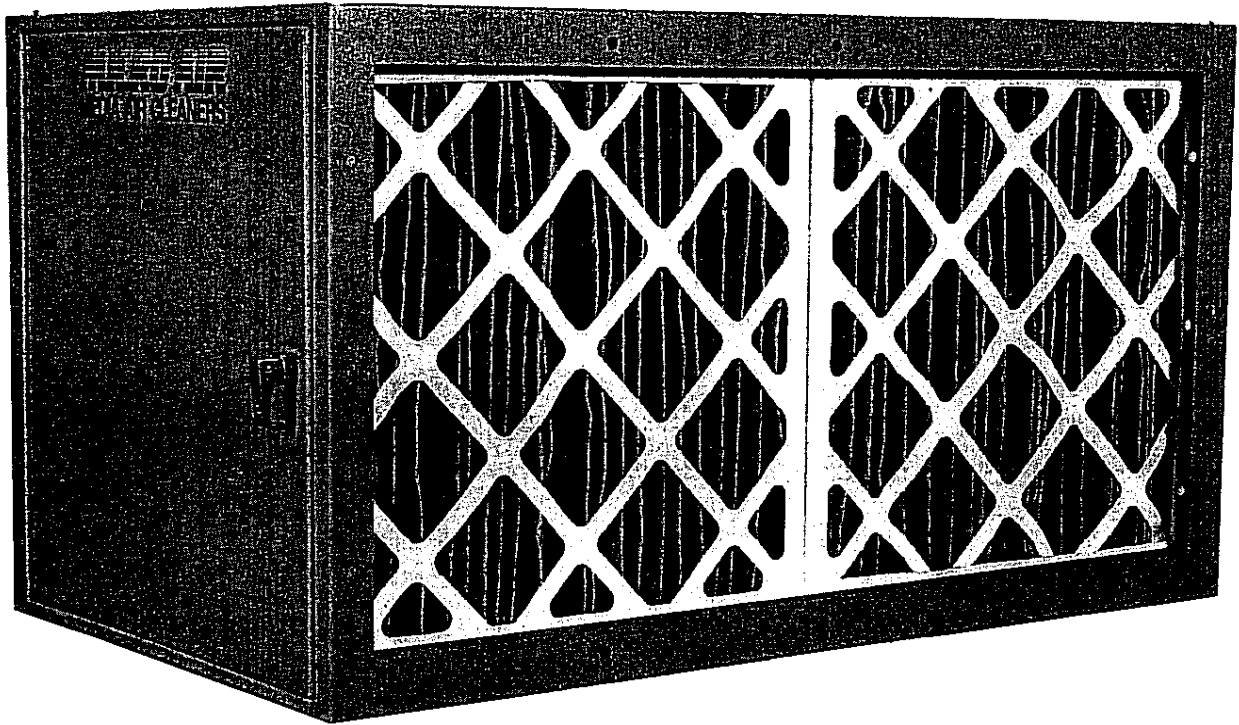


MICRO AIR[®]

AIR CLEANERS



Model 270BCC

OWNER'S MANUAL

CAUTION

Read complete instructions before operating.

Please file for future reference.

MODEL 270BCC SPECIFICATIONS

Overall Dimensions: 21" h x 42" w x 22" l

Weight: 140 lbs. actual; 160 lbs. shipping

Cabinet: 16-gauge welded galvanized steel with exterior surfaces ground smooth.

Finish: industrial grade brown textured baked enamel, inside and outside.

Prefilter: Two each - 18½"x18½"x4" pleated prefilters.

Charcoal Modules: Two each refillable charcoal modules, 18½"x18½"x12", with 17 lbs. of coconut-shell charcoal per each module. (Total 34 lbs.)

Afterfilter: Two each 18½"x18½"x1" pleated afterfilter.

Charcoal Weight: 17 lbs. per module.

Filter Access: Side load through hinged door.

Air Flow: Horizontal from right-to-left, or left-to-right.

Air Volume Capacity: 2500 CFM.

Specifications subject to change without notice.

Metal-Fab, Inc. offers a limited 2-year warranty (from date of installation) on replacement parts due to faulty workmanship and materials. All patent rights reserved.

FEATURES

- Units can be easily stacked or mounted side by side for greater capacity.
- Captive weld nuts on top and bottom of cabinet.

OPTIONS

- Refillable activated-alumina (Purasorb) modules available.

PACKAGE CONTENTS

- 1 ea. 270BCC Unit
- 1 ea. Owners Manual
- 2 ea. 20 lb. container of charcoal (shipped separately)
- 4 ea. 5/16 x 18" Eye Bolt
- 4 ea. 5/16 x 18" Hex Nut

PRE-OPERATING INSTRUCTIONS

1. Remove the 270BCC from cardboard carton and inspect for any external damage. Remove plastic packaging from around unit.
2. Open the filter access door and inspect the charcoal modules for damage.
3. Take the two charcoal modules out of the cabinet and remove the charcoal cover plates from each module.
4. Fill charcoal modules completely with charcoal. Some charcoal will be left over.
5. Replace the charcoal cover plates.
6. Insert the modules into the cabinet and close the filter access panel.

HANGING INSTRUCTIONS

1. The 270BCC cabinet contains eight (8) 5/16" weld nuts located on top and bottom corners to be used with eyebolts or threaded rods for suspended installation. The recommended style of attachment is shown in Figure 1, and described in Steps 3 through 5.

2. If unit is to be suspended upside down, remove the 5/16" threaded bolts from four corner holes on bottom of cabinet. (Note: The 270BCC is designed to work equally well whether hung from the top or bottom.)
3. Thread a nut onto each eyebolt and thread an eyebolt into each of the four threaded holes in the cabinet. Tighten the nuts against the cabinet. The unit is now ready to be hung in an appropriate location.

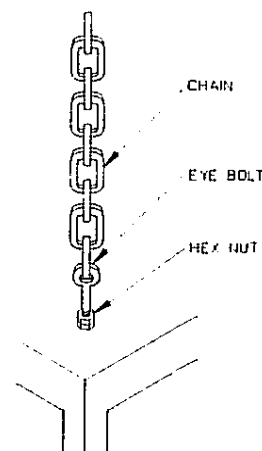


Fig. 1

4. Firmly secure four chains of equal strength to a firm structural support. Wire of equal or greater strength may be used in lieu of chains. (Fig. 1)
5. Raise unit up to chains and attach eyebolts to chains.

CAUTION: FIRM STRUCTURE MUST BE CAPABLE OF SUPPORTING A MINIMUM WEIGHT OF 600 LBS. PER 270BCC USED.

Flanges on intake and exhaust side of unit are provided for attaching to plenums. **CAUTION: TAKE CARE TO USE APPROPRIATE SCREW LENGTH WHEN ATTACHING PLENUMS SO THAT SCREWS DO NOT INTERFERE WITH INTERNAL COMPONENTS OF UNIT.**

NOTE: LOCATE UNIT SUCH THAT SERVICEABLE PARTS CAN BE REMOVED WITHOUT INTERFERENCE FROM STRUCTURAL POLES OR WALLS.

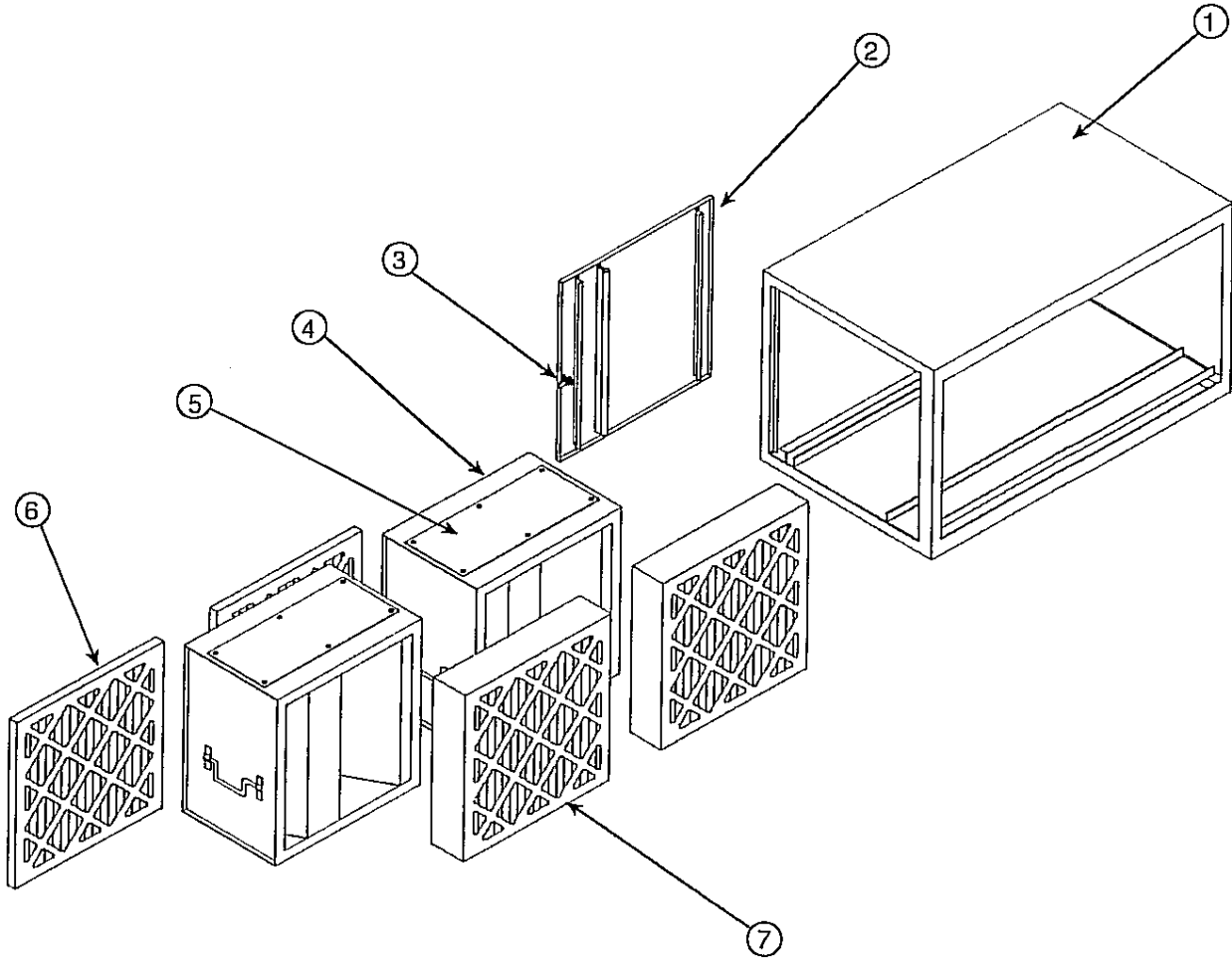
CAUTION: IF UNIT IS TO BE SUSPENDED BY OTHER MEANS, SUCH AS AN ANGLE IRON ASSEMBLY OR A WALL MOUNT, BE CERTAIN THAT SUCH AN ASSEMBLY CAN SUPPORT FOUR TIMES THE TOTAL WEIGHT OF THE UNIT(S) INSTALLED.

ATTACHING THE 270BCC TO OTHER UNITS

1. The 270BCC contains numerous 5/16" holes located on the inlet and exhaust flanges. These holes are to be used to attach the 270BCC to plenums, the IE 2700 or a 270BC.
2. By using the 5/16" flange holes of the 270BCC, locate and drill adjacent holes on the unit to which the 270BCC will be attached. (1/4" diameter holes minimum are recommended.)
3. Before attaching the 270BCC to any structures, apply a thick bead of silicon sealant around flange surface so that an oil tight seal is generated. Once done, the 270BCC should be bonded to the structure with a minimum of eight (2 per flange) 1/4" bolts, nuts and washers.

MICRO AIR
AIR CLEANERS

270BCC



ITEM #	PART NO.	DESCRIPTION
1.	34101-01	CABINET WELDMENT
2.	34103-01	DOOR
3.	P1372	DOOR LATCH
4.	334110-01	MODULE ASSEMBLY (2 EA. REQ.)
5.	34112-01	COVER PLATE (1 PER MODULE)
6.	P1752	AFTERFILTER (2 EA. REQ.)
7.	P2051	PREFILTER (2 EA. REQ.)

MICRO AIR

AIR CLEANERS

Products of Metal-Fab, Inc.

P. O. Box 1138 • Wichita, KS 67201
(316) 943-2351 • FAX (316) 943-2717