

SCA—Source Capture Arms

Specifications and Technical Data

TYPICAL APPLICATIONS

Source Capture of:

- Welding Smoke and Fumes
- Grinding Dust
- Powders
- Other Dry Dusts

Features:

- Industrial Strength Construction
- Hood Mounted Controls
- Versatile Design
- Smooth Tube Construction
- Air Diverter in the Hood
- Hood Grab Handle
- External Joints and Supports
- Integral Airflow Damper

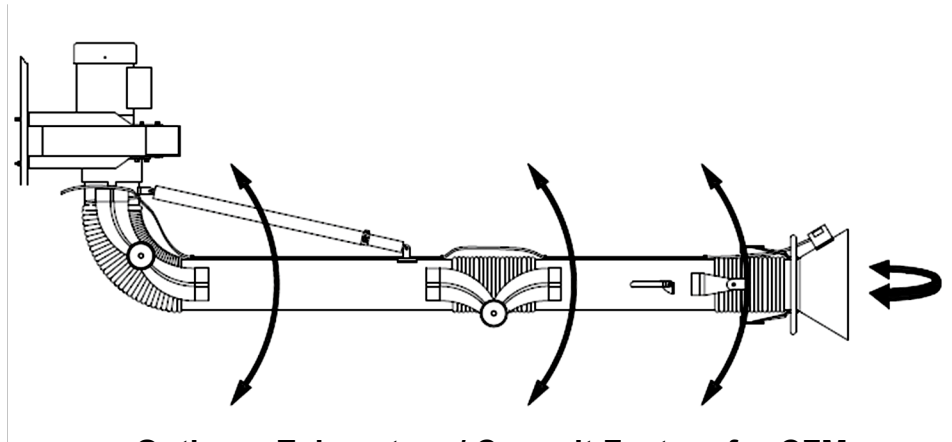
Specifications:

- SCA 405 4" dia. X 5' L
- SCA 407 4" dia. X 7' L
- SCA 607 6" dia. X 7' L
- SCA 609 6" dia. X 9' L
- SCA 612 6" dia. X 12' L
- SCA 807 8" dia. X 7' L
- SCA 809 8" dia. X 9' L
- SCA 812 8" dia. X 12' L



Benefits:

- Withstands Rigors of Industrial Use
- User-Friendly Controls
- Ease of Operation
- Higher Airflow Performance
- Increased Capture Velocity
- Easy Movement and Positioning
- Less Restriction, Holds Position



Options:

- Exhausters
- Hood Mounted 12V LED Lamp

Options: Exhausters / Consult Factory for CFM

Micro Air's Source Capture Arms, available in 4", 6" or 8" diameter, provide versatility, durability, and an economical method of collecting particulate at the source. SCA arms are externally supported, with no internal working parts other than the damper, offering increased airflow, ease of movement, and exact positioning.

HP	Voltage	Phase	Arm Dia.	Arm Length	dBA @ 5'
1	120	1	4"	5', 7'	79
1	120	1	6"	7', 9', 12'	84
1	230/460	3	6"	7', 9', 12'	83
3	230/460	3	6"	7', 9', 12'	94
3	230/460	3	8"	7', 9', 12'	94

Specifications subject to change without notice.

Sold and Serviced by:

L2755-11/24