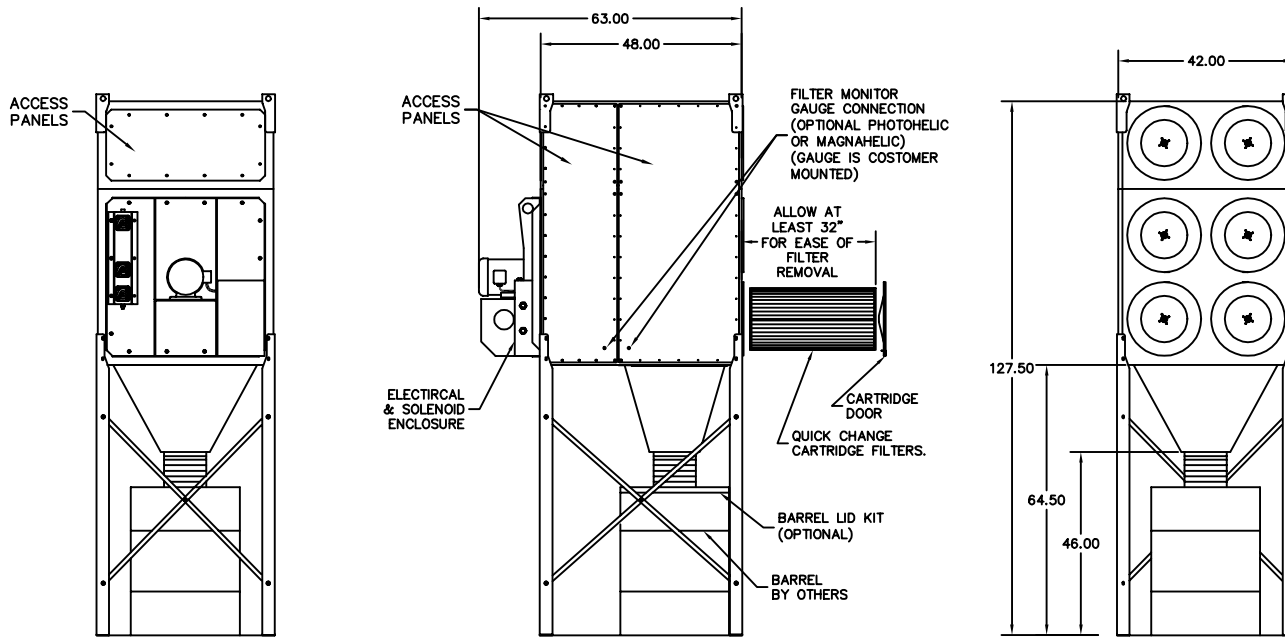


DWG. NO:  
L1573

REV.  
2

REVISIONS



**NOTES**

- 1.) CONSULT MANUFACTURER REPRESENTATIVE FOR MOTOR BLOWER SPECIFICATIONS.
- 2.) UNITS MUST BE ATTACHED TO IN-PLANT COMPRESSED AIR SUPPLY FOR CLEANING MECHANISM TO FUNCTION (90 MAX psig CLEAN DRY AIR)
- 3.) VALVES AND CONTROL TIMER SYSTEM OPERATE ON 120v. 50-Hz. POWER.
- 4.) WELDED STEEL CONSTRUCTION OF 12 Ga. MILD STEEL.
- 5.) SOLID STATE PULSE CONTROL TIMER IN NEMA 4 ENCLOSURE FOR RPO UNITS ONLY.
- 6.) PAINTED INSIDE & OUT CRIMSON RED.

**SPECIFICATIONS**

TOTAL VALVES 3  
 TOTAL CARTRIDGES 6  
 COMPRESSED AIR 1.0 SCF @ 90 psi per sec.

TITLE RP6 DETAIL		TOLERANCES UNLESS OTHERWISE NOTED 2 DEC. PLACES +/- .01 3 DEC. PLACES +/- .001 ANGLES +/- 1°		 METAL FAB, INC. MANUFACTURING & PROCESSING FOR ENVIRONMENTAL PROTECTION WICHITA, KS 67201
SCALE .13=1	DATE 1-5-98	CHKD BY JJ	DWG. NO. L1573	
DWN BY MC	DATE 1-5-98	CHKD BY JJ	DWG. NO. L1573	REV. 2
SH. 2 OF 3				