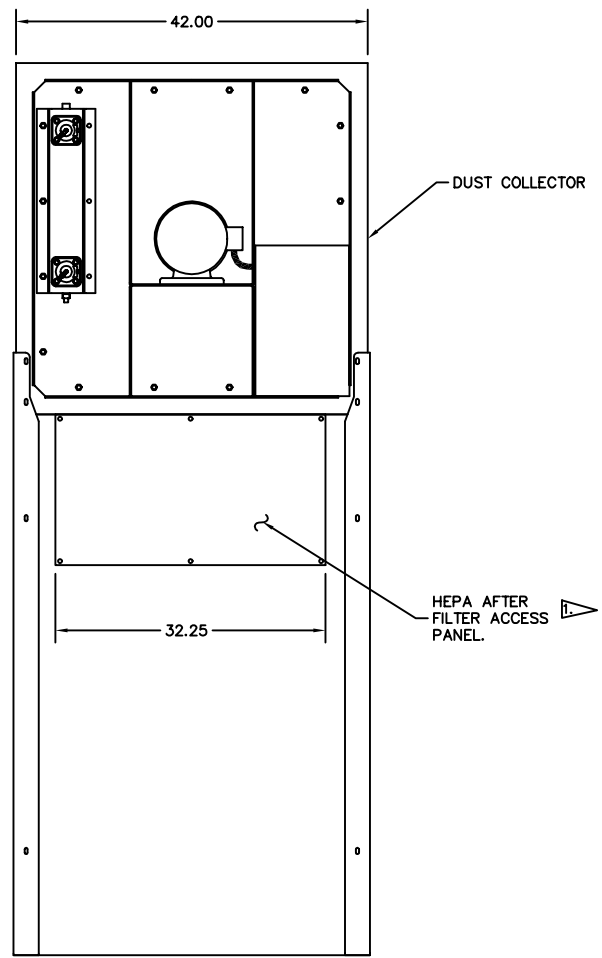
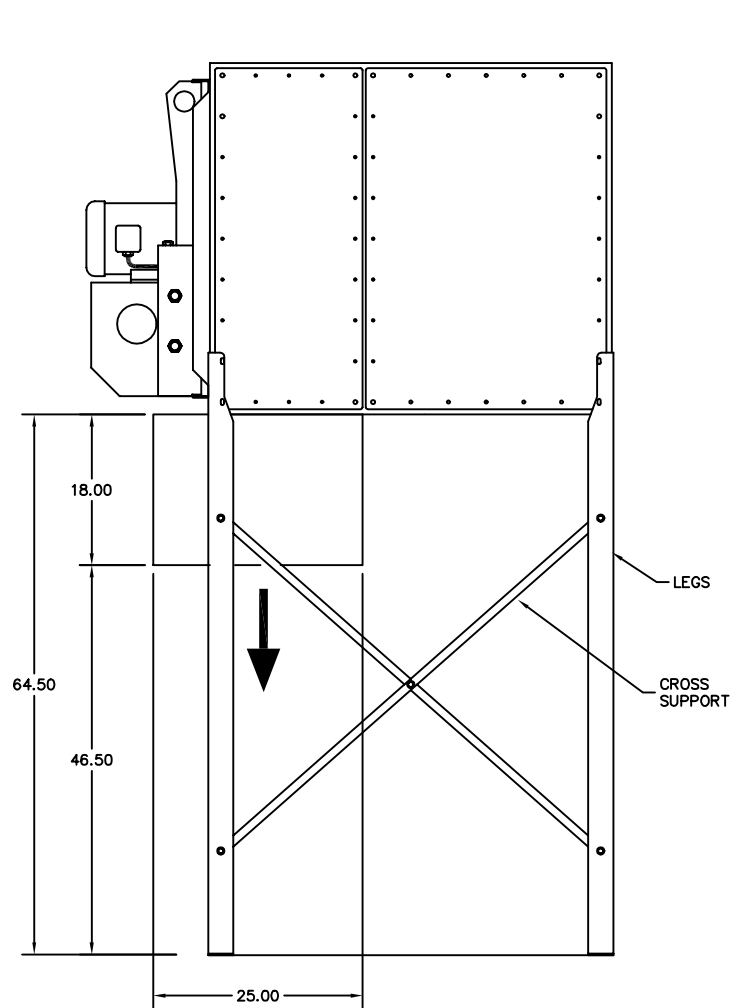


DWG. NO.: L1578
REV. 2

REVISIONS
2 | 7-21-98 | MC
(ECR 5690)
PICTORIAL CHG.
ADDED NEW LEGS



NOTES:
1 ea. HEPA FILTER ● 24 X 30 X 12

TITLE HEPA AFTER FILTER DETAIL FOR RP'S		TOLERANCES UNLESS OTHERWISE NOTED 2 DEC. PLACE: +/- .06 3 DEC. PLACE: +/- .031 ANGLES: +/- 1°		 MANUFACTURER OF PRODUCTS FOR ELECTRONIC INDUSTRIES WICHITA, KS 67201
SCALE: NTS	UL DWG: --	DWG. NO.: L1578	REV.: 2	
DWN BY: MC	DATE: 12-29-97	CHKD BY: JU	DWG. SH.: 11 SH.1 OF 1	