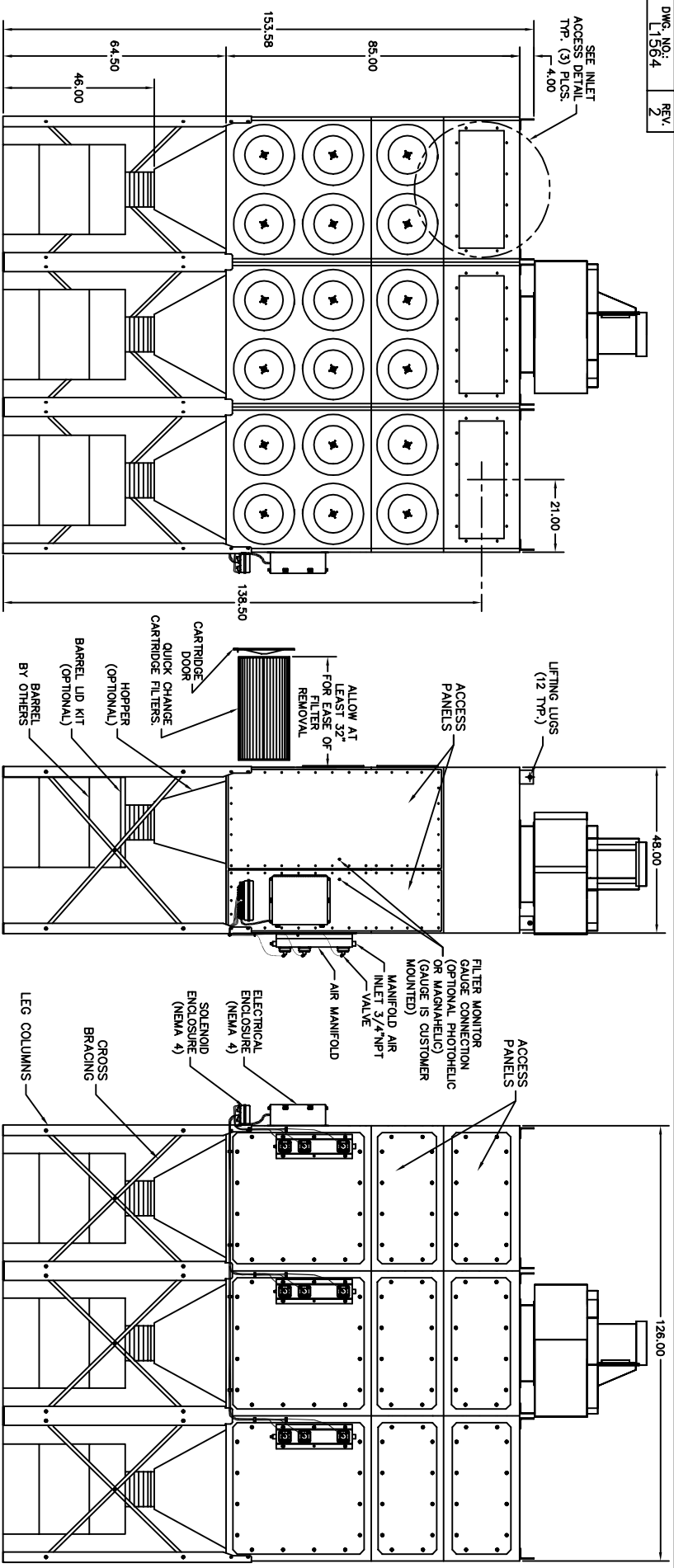


- NOTES
- 1.) CONSULT MANUFACTURER REPRESENTATIVE FOR MOTOR BLOWER HEIGHT AND OTHER SPECIFICATIONS.
  - 2.) UNITS MUST BE ATTACHED TO IN-PLANT COMPRESSED AIR SUPPLY FOR CLEANING MECHANISM TO FUNCTION (90 MAX PSIG CLEAN DRY AIR)
  - 3.) VALVES AND CONTROL TIMER SYSTEM OPERATE ON 120V, 50-Hz. POWER.
  - 4.) WELDED STEEL CONSTRUCTION OF 12 GA. MILD STEEL ENCLOSEURE
  - 5.) SOLID STATE PULSE CONTROL TIMER IN NEMA 4 ENCLOSURE
  - 6.) PAINTED INSIDE & OUT CRIMSON RED.

SPECIFICATIONS  
TOTAL VALVES 6  
TOTAL CARTRIDGES 12  
COMPRESSED AIR 1.0 SCF @90 psi per sec.

TITLE		TOLERANCES UNLESS OTHERWISE NOTED	
RP6-2 BOLT TOGETHER WITH BLOWER DETAIL		3 DEC. PLACES	1/16"
DWG. NO. 1564		SCALE	1/32"=1"
DATE	12-17-97	CHG. BY	MC
APP'D		CHKD BY	MC
		DATE	11
		SH. 1 OF 4	
DWG. NO. 1564		METAL FAB	



- NOTES
- 1.) CONSULT MANUFACTURER REPRESENTATIVE FOR MOTOR BLOWER HEIGHT AND OTHER SPECIFICATIONS.
  - 2.) UNITS MUST BE ATTACHED TO IN-PLANT COMPRESSED AIR SUPPLY FOR CLEANING MECHANISM TO FUNCTION (90 psig CLEAN DRY AIR)
  - 3.) VALVES AND CONTROL TIMER SYSTEM OPERATE ON 120V, 50-HZ. POWER.
  - 4.) WELDED STEEL CONSTRUCTION OF 12 GA. MILD STEEL.
  - 5.) SOLID STATE PULSE CONTROL TIMER IN NEMA 4 ENCLOSURE.
  - 6.) PAINTED INSIDE & OUT CRIMSON RED.

SPECIFICATIONS

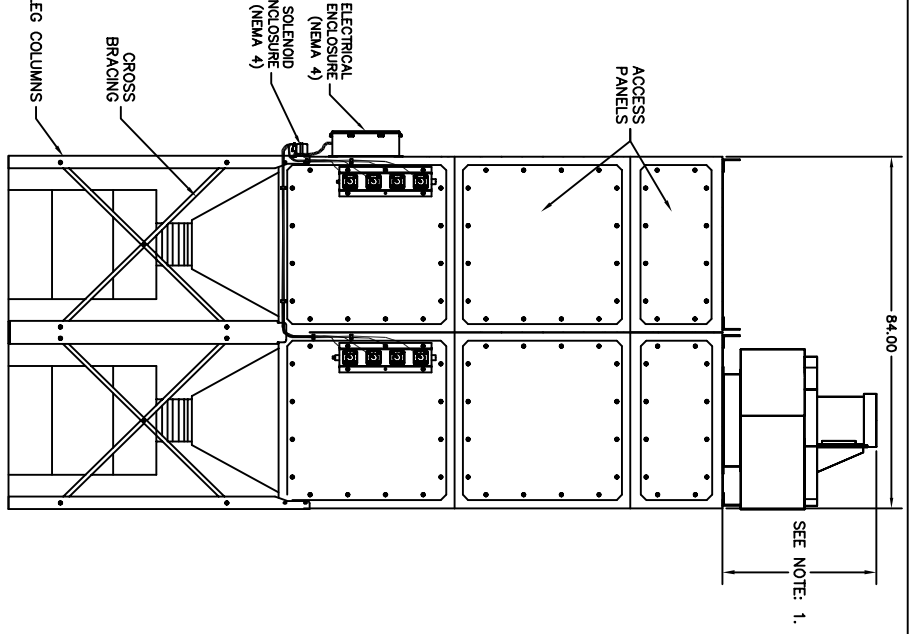
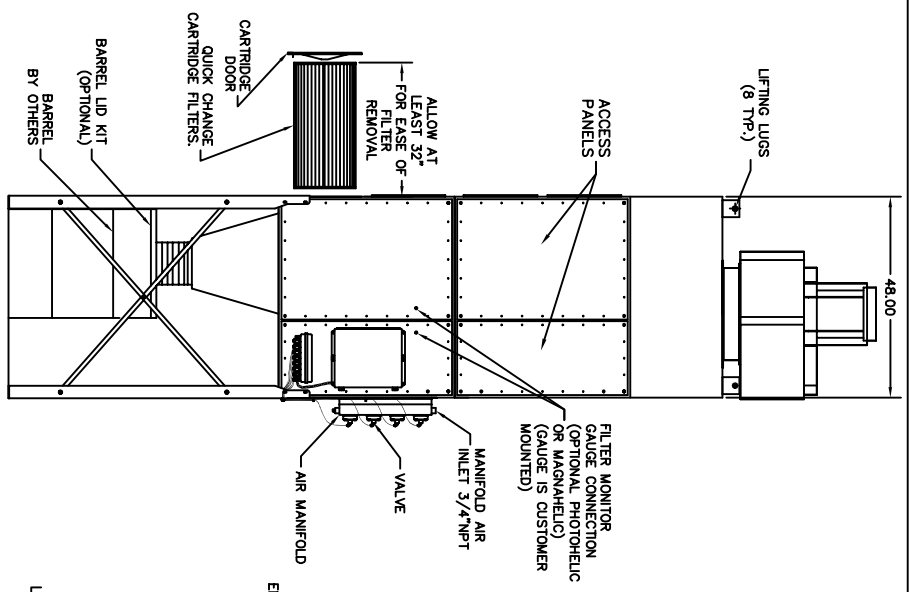
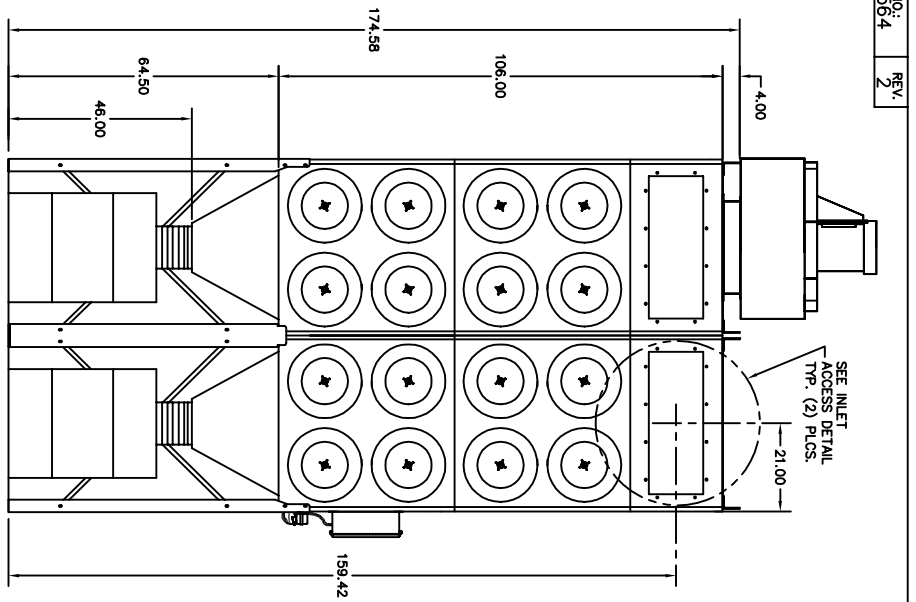
TOTAL VALVES 9

TOTAL CARTRIDGES 18

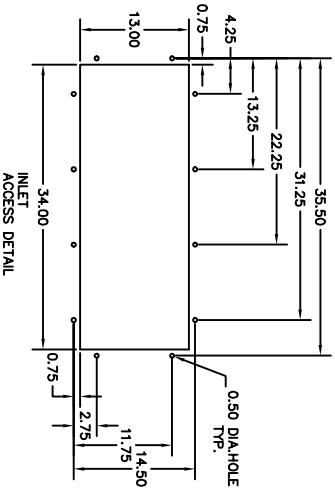
COMPRESSED AIR 1.0 SCF @90 psi per sec.

TITLE		TOLERANCES UNLESS NOTED	
RP6-3 BOLT TOGETHER WITH BLOWER DETAIL		3 DEC. PLACES	
DWG. NO. 1564		SCALE 1/2" = 1'-0"	
REV. 2		DATE 12-17-97	
BY J.D.		CHKD BY DMC	
NO. 2		SH. 2 OF 4	
DWG. NO. 1564		REV. 2	





- NOTES**
- 1.) CONSULT MANUFACTURER REPRESENTATIVE FOR MOTOR BLOWER HEIGHT AND OTHER SPECIFICATIONS.
  - 2.) UNITS MUST BE ATTACHED TO IN-PLANT COMPRESSED AIR SUPPLY FOR CLEANING MECHANISM TO FUNCTION (90 MAX. PSI CLEAN DRY AIR)
  - 3.) VALVES AND CONTROL TIMER SYSTEM OPERATE ON 120V, 50-HZ. POWER.
  - 4.) WELDED STEEL CONSTRUCTION OF 12 GA. MILD STEEL.
  - 5.) SOLID STATE PULSE CONTROL TIMER IN NEMA 4 ENCLOSURE.
  - 6.) PAINTED INSIDE & OUT CRIMSON RED.
- SPECIFICATIONS**
- TOTAL VALVES: 8
- TOTAL CARTRIDGES: 16
- COMPRESSED AIR: 1.0 SCF @90 PSI PER SEC.



**TITLE**  
RP8-2 BOLT  
TOGETHER WITH  
BLOWER DETAIL

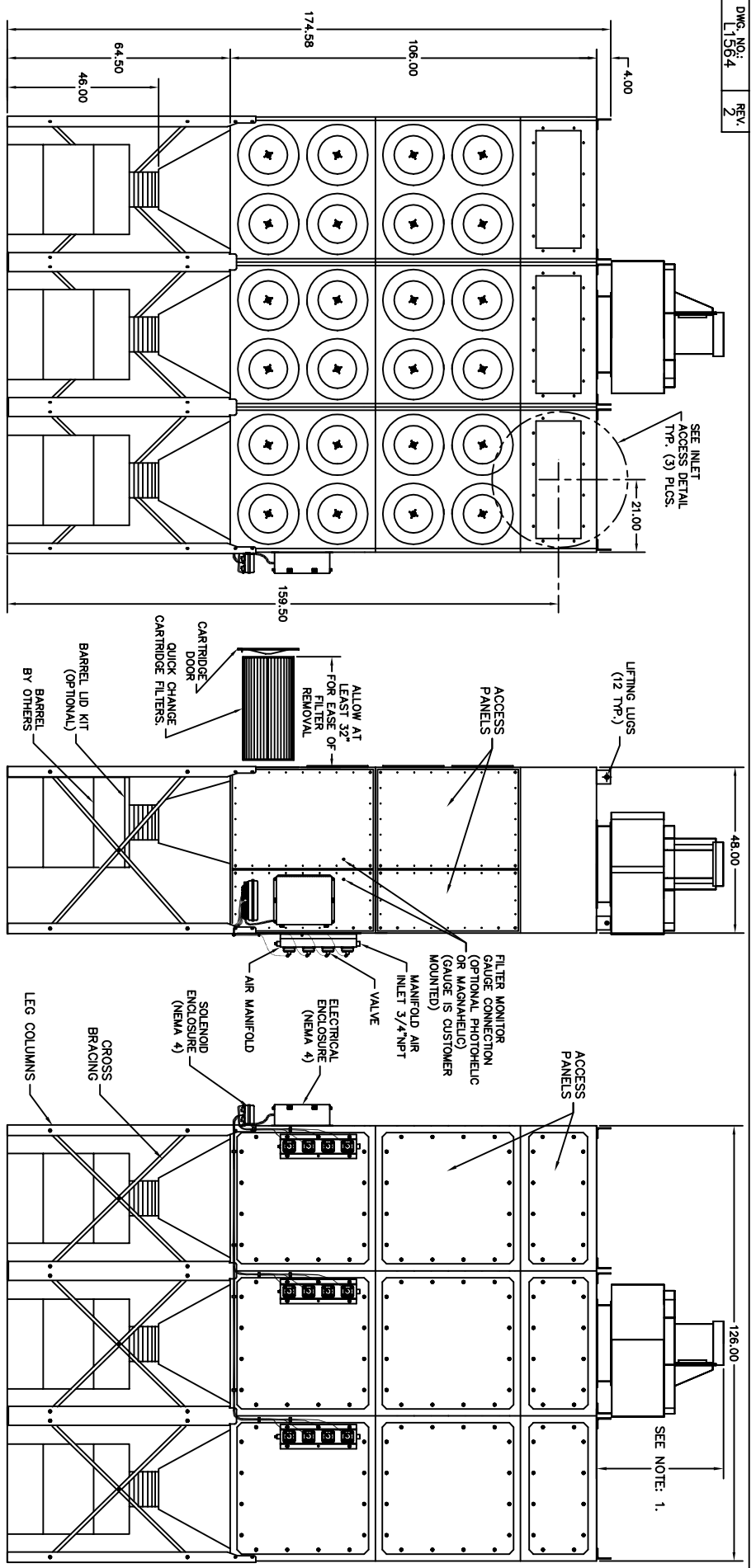
**TOLERANCES UNLESS  
OTHERWISE NOTED ON  
3 DEC. PLACE**  
SCALE: 1/8" = 1"  
DIM. DIMS.

**DATE** 12-17-97 **BY** JG **CHKD BY** JMC **APP'D** 11

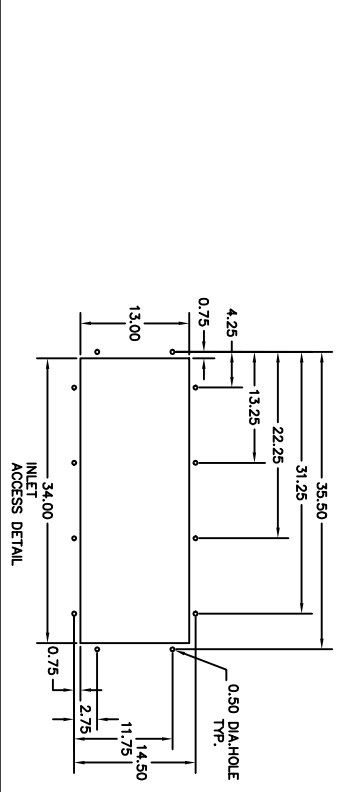
**SH. 3 OF 4**

**DMG. NO.** 1564

**METAL FAB**  
NEW VENTURA, CA 92081  
NEW VENTURA, CA 92081



- NOTES**
- 1.) CONSULT MANUFACTURER REPRESENTATIVE FOR MOTOR BLOWER HEIGHT AND OTHER SPECIFICATIONS.
  - 2.) UNITS MUST BE ATTACHED TO IN-PLANT COMPRESSED AIR SUPPLY FOR CLEANING MECHANISM TO FUNCTION (90 MAX PSIG CLEAN DRY AIR)
  - 3.) VALVES AND CONTROL TIMER SYSTEM OPERATE ON 120V, 50-HZ. POWER.
  - 4.) WELDED STEEL CONSTRUCTION OF 12 GA. MILD STEEL.
  - 5.) SOLID STATE PULSE CONTROL TIMER IN NEMA 4 ENCLOSURE.
  - 6.) PAINTED INSIDE & OUT CRIMSON RED.
- SPECIFICATIONS**
- TOTAL VALVES 12
- TOTAL CARTRIDGES 24
- COMPRESSED AIR 1.0 SCF @90 psi per sec.



<p><b>TITLE</b></p> <p>RP8-3 BOLT TOGETHER WITH BLOWER DETAIL</p>		<p><b>TOLERANCES UNLESS SHOWN OTHERWISE</b></p> <p>3 DEC. PLACES 0.001</p> <p>SCALE 1/3"=1"</p> <p>DATE 12-17-97</p>		<p><b>DRG. NO.</b> 1564</p> <p><b>REV.</b> 2</p>	
<p><b>DATE</b> 12-17-97</p> <p><b>BY</b> J.D.</p> <p><b>CHECKED BY</b> D.M.</p> <p><b>NO.</b> 11</p> <p><b>SH.</b> 4 OF 4</p>		<p><b>SCALE</b> 1/3"=1"</p> <p><b>DATE</b> 12-17-97</p> <p><b>BY</b> J.D.</p> <p><b>CHECKED BY</b> D.M.</p> <p><b>NO.</b> 11</p> <p><b>SH.</b> 4 OF 4</p>		<p><b>DMC NO.</b> 1564</p> <p><b>REV.</b> 2</p>	

