

NOTE

▶ THESE ITEMS ARE NOT SUPPLIED WITH DUST COLLECTOR

TITLE:
TYP. INSTALLATION
VIEW FOR INDOOR
RP UNITS

LIT. USED ON:

SHT.
1 OF 2

DIR.
11

CHK'D BY:

SCALE:
NTS

DWN BY:
MC

DATE:
12-19-97

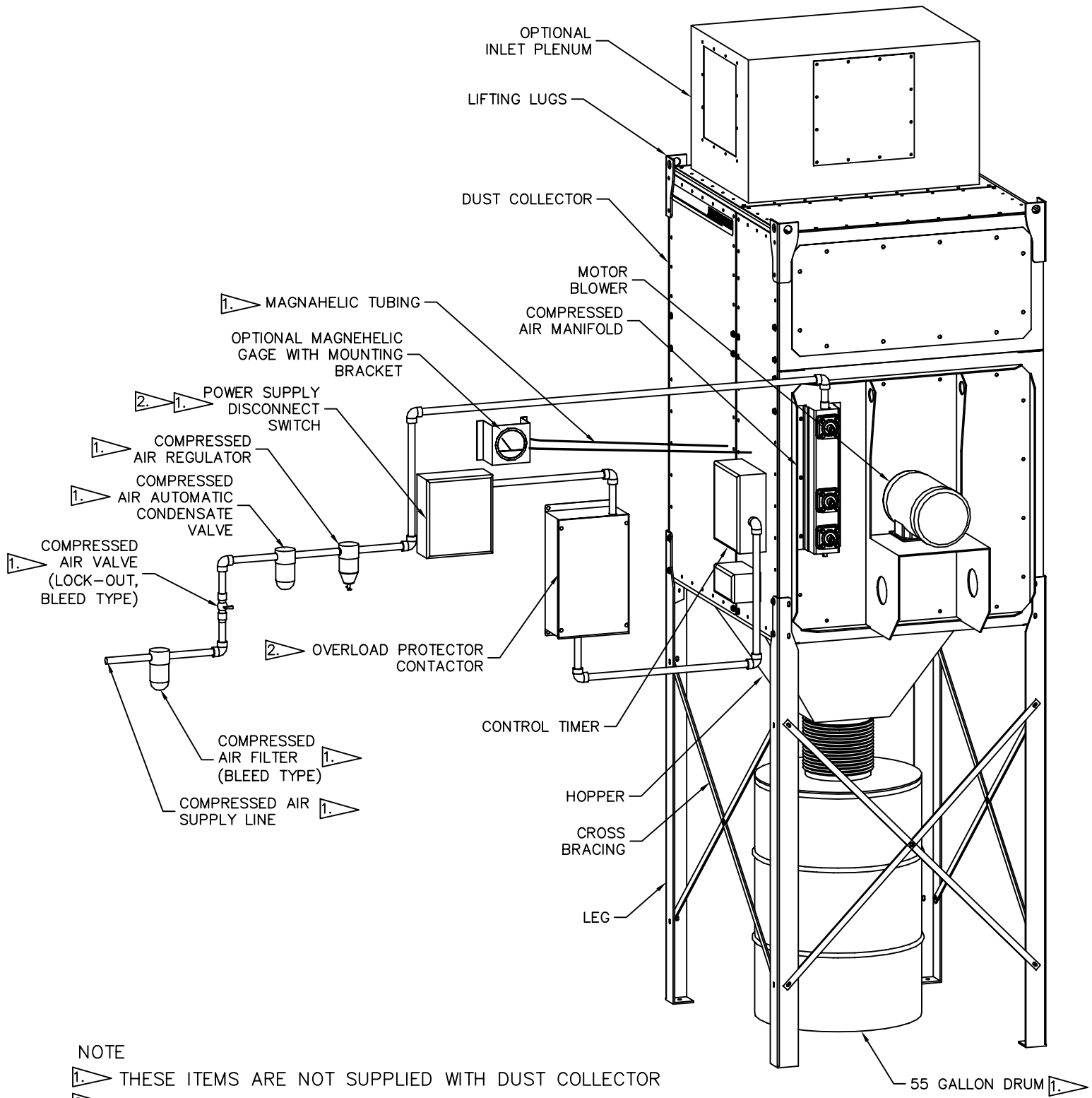
DWG. NO:
L1567

REV.
2

METAL-FAB INC.

MANUFACTURERS OF PRODUCTS
FOR ENVIRONMENTAL SYSTEMS

WICHITA, KS 67201



TITLE:
 TYP. INSTALLATION
 VIEW FOR OUTDOOR
 RP UNITS

LIT. USED ON:

SHT.
 2 OF 2

DIR.
 11

CHK'D BY:

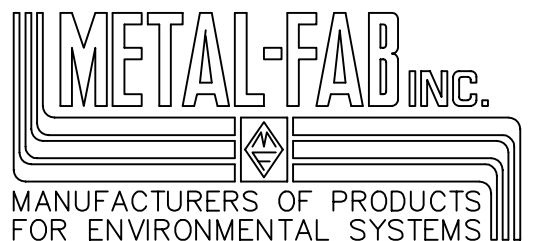
SCALE:
 NTS

DWN BY:
 MC

DATE:
 12-19-97

DWG. NO:
 L1567

REV.
 2



WICHITA, KS 67201