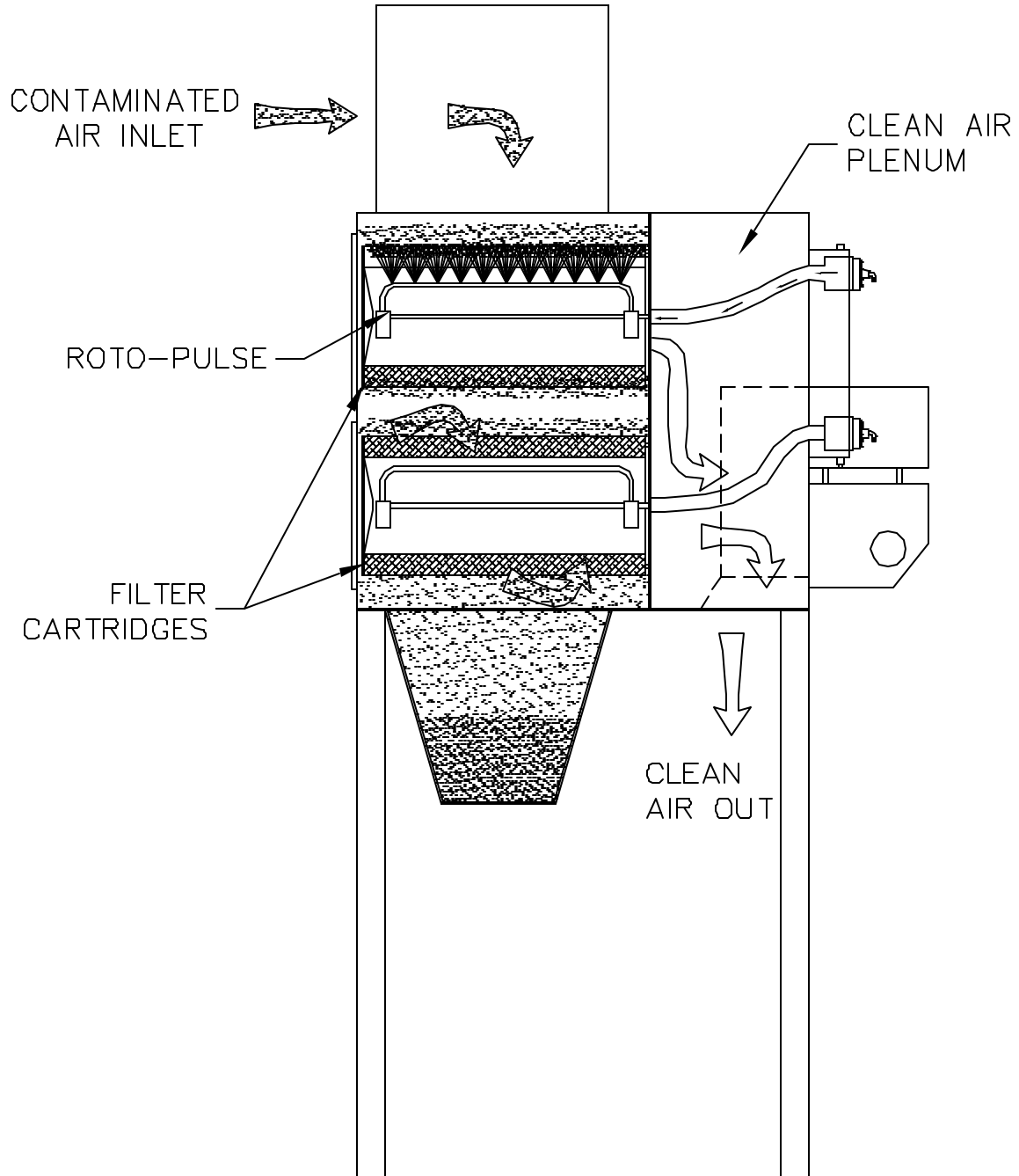


DUST COLLECTOR OPERATION



TITLE:
OPERATIONAL
SCHEMATIC
RP'S

LIT. USED ON:

SHT.
1 OF 1

DIR.
11

CHK'D BY:

SCALE:
NTS

DWN BY:
MC

DATE:
12-23-97

DWG. NO:
L1568

REV.
1

METAL-FAB INC.
MANUFACTURERS OF PRODUCTS
FOR ENVIRONMENTAL SYSTEMS
WICHITA, KS 67201