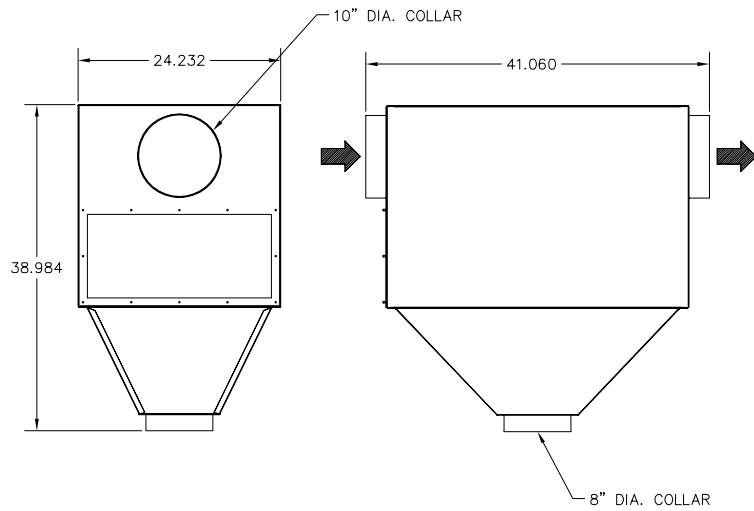


DWG. NO.:
L1683

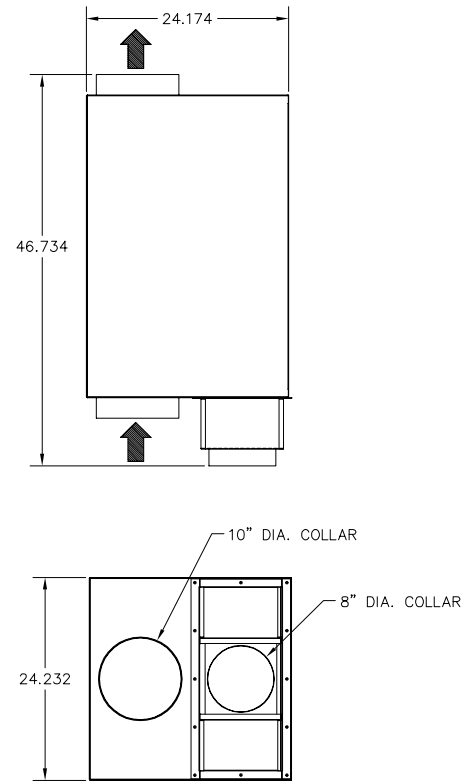
REV.
B

REVISIONS

B 12-31-03 KWC
(ECR 7341)



SA2000H



SA2000V

NOTES:
USE PROPER AIRFLOW DIRECTION AS
INDICATED BY ARROWS.
DO NOT EXCEED 2,000CFM.

| | | | | | | |
|------------------|------------------|---|------------|---|--------------------|------------|
| TITLE SA2000 | | TOLERANCES UNLESS OTHERWISE NOTED 2 DEC. PLACE: \pm /.06 3 DEC. PLACE: \pm /.031 ANGLES: \pm /' | | MICRO AIR AIRCLEANERS WICHITA, KS, 67201 | | |
| SCALE: 3/64=1 | UL DWG: -- | | | | | |
| DWN BY: TT | DATE: 7-27-99 | CHKD BY: SS | DIR: 11 | SH. 1 OF 1 | DWG. NO.: L1683 | REV.: B |