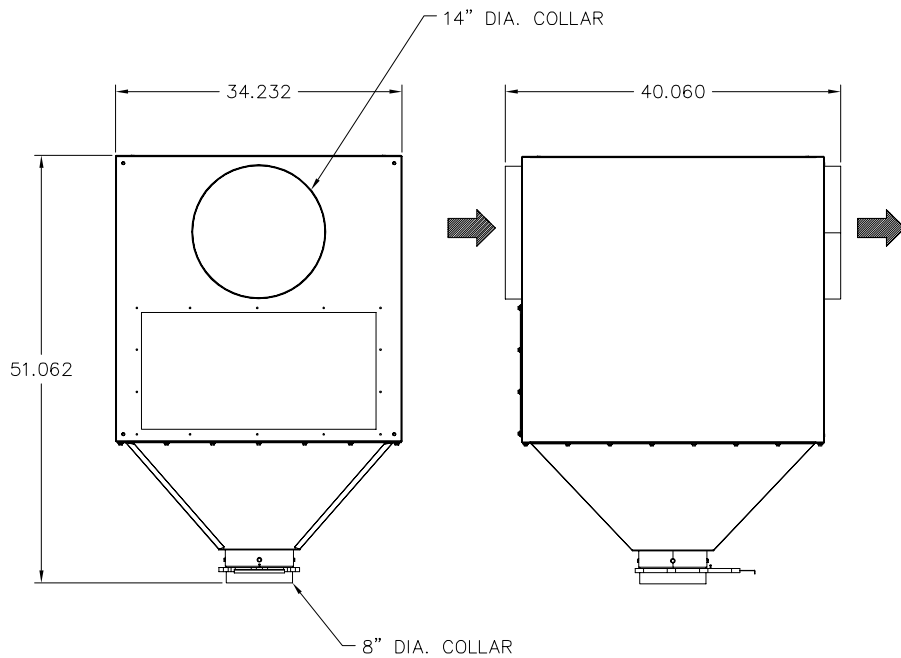


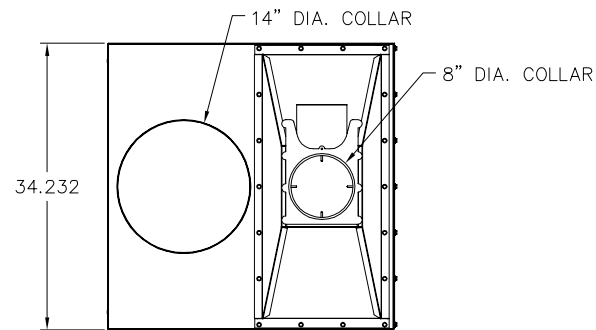
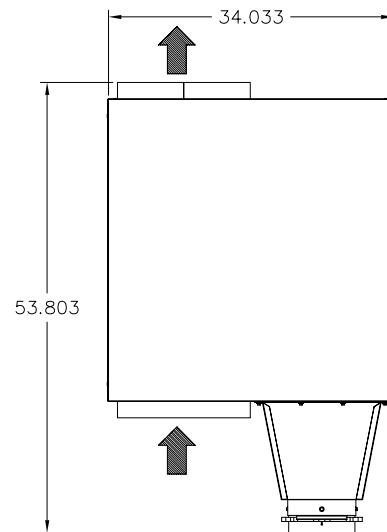
DWG. NO.: L1691
REV. A

REVISIONS

A 12-31-03 KWC
(ECR 7341)



SA4000H



SA4000V

NOTES:
USE PROPER AIRFLOW DIRECTION AS
INDICATED BY ARROWS.
DO NOT EXCEED 4,000CFM.

TITLE SA4000		TOLERANCES UNLESS OTHERWISE NOTED 2 DEC. PLACE: +/- .06 3 DEC. PLACE: +/- .031 ANGLES: +/- 1°		MICRO AIR AIRCLEANERS WICHITA, KS. 67201		
SCALE: 3/64=1	UL DWG: --					
DWN BY: LHW	DATE: 10-21-99	CHKD BY: SS	DIR: 11	SH. 1 OF 1	DWG. NO.: L1691	REV.: A