



BREATHE EASY...Solutions for Clean, Safe Air

MICRO AIR RP2 DUST COLLECTOR

Specifications and Technical Data

TYPICAL APPLICATIONS:

- WELD SMOKE AND FUMES
- GRINDING / POLISHING DUST
- POWDERS
- BLASTING OPERATION



STANDARD FEATURES:

- REVOLUTIONARY ROTO-PULSE® FILTER CLEANING SYSTEMS
- ENERGY EFFICIENT EPACT MOTOR
- LONG LIFE VALVE SYSTEM
- LARGE CAPACITY DUST DRAWER
- BUILT-IN PLUG FANS, 3 HP, 3-PHASE, 60 HZ
- MOTOR STARTER/OVERLOAD PROTECTION STANDARD CONTROL PACKAGE
- AFTER PULSE CLEANING CYCLE STANDARD
- HEAVY DUTY CONSTRUCTION
- FULL RANGE OF OPTIONS
- BEST INDUSTRY WARRANTY

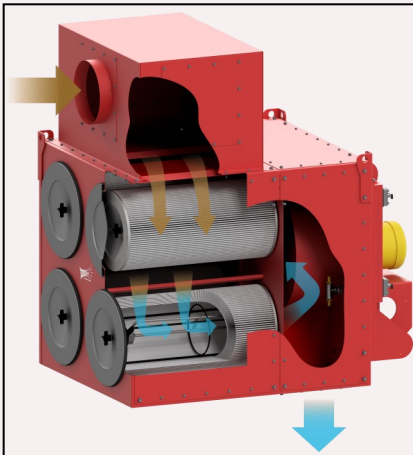
OPTIONS:

- HOPPER SETUP WITH LONG LEGS AND BARREL LID KIT.
- LOW PROFILE UNIT WITH DUST DRAWERS.
- SILENCER.— STRAIGHT EXHAUST
- SILENCER—UPBLAST EXHAUST
- HEPA AFTERFILTER— UPBLAST EXHAUST
- VARIETY OF CARTRIDGE FILTER OPTIONS.
- 5HP, PLUG FAN, 3-PHASE, 60 HZ, FOR HIGH STATIC APPLICATIONS
- SPARK ARRESTOR
- MAGNAHELIC OR PHOTOHELIC GAUGES.
- INTELLI-TOUCH ENERGY SAVING CONTROLS
- 6" DIA. OR 8" DIA. INLET COLLAR LOCATED AT TOP OR FRONT OF CABINET

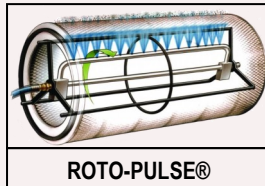
HOW IT WORKS:

Contaminated air is pulled into the inlet collar at the top or front of the RP2 Cabinet, then travels down through the cartridge filter section, where the contaminant is filtered and dropped into the hopper or dust drawer.

Breathe Easy, clean safe air is exhausted out the bottom of the unit. Cartridge cleaning is accomplished with Micro Air's proprietary Roto-Pulse® cleaning system, where air is



pulsed into a specially designed stainless steel, rotating tube, engineered with pre-drilled holes. As the air enters this tube, the force of the pulse causes the tube to rotate incrementally inside the cartridge. While rotating, air exits the pre-drilled holes, re-



ROTO-PULSE®



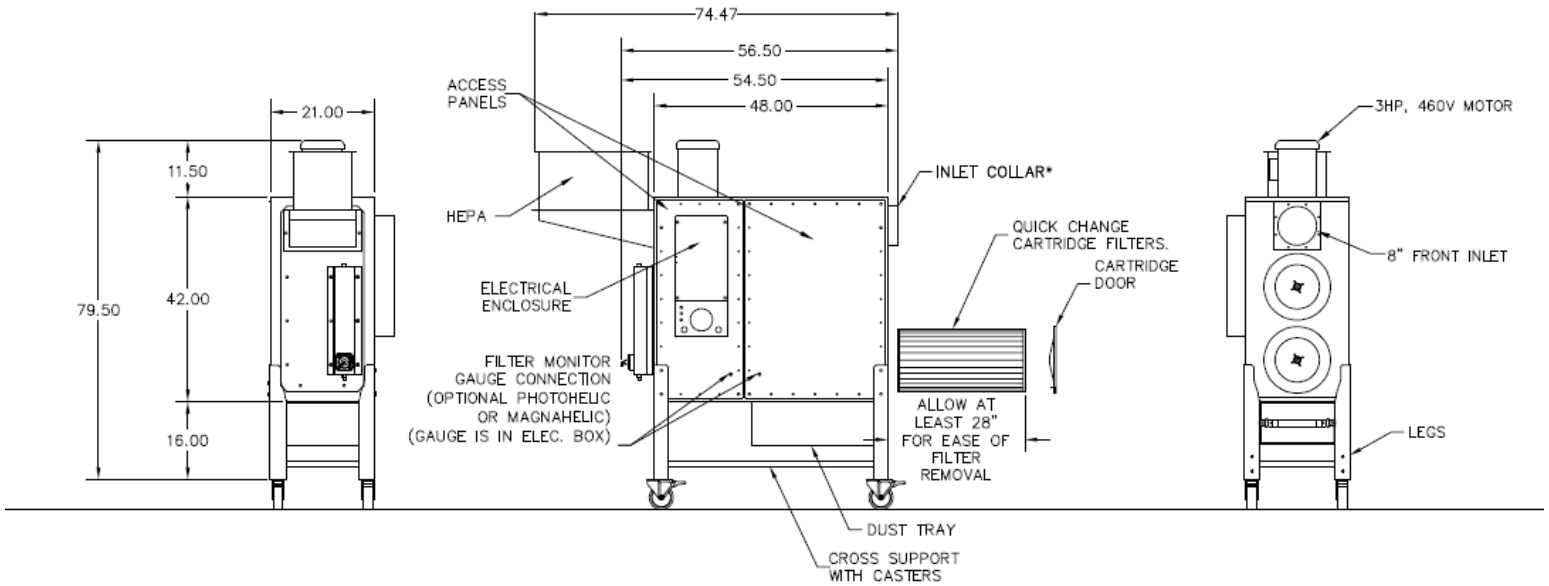
RP2 with Spark Arrestor Ducted to Buffing / Polishing Operations

sulting in air dispersement over the entire surface of the cartridge, providing for an improved cartridge cleaning cycle, compared to competitive backflush cleaning systems .

L2252-RP2-05/22



RP2



RP2 EQUIPPED WITH SHORT LEGS/DUST TRAY—UPBLAST HEPA AFTERFILTER

RP2 SPECIFICATIONS:

OVERALL DIMENSIONS:

79" H X 21" W X 48" D WITH SHORT LEGS / DUST TRAY
 96" H X 21" W X 48" D WITH LONG LEGS / HOPPER

WEIGHT:

*800 LBS ACTUAL WEIGHT
 *850 LBS SHIPPING WEIGHT
 *WEIGHT VARIES DEPENDING ON OPTIONS SELECTED

CABINET:

HEAVY DUTY 14 GAUGE GALVANEAL STEEL WITH EXTERIOR SURFACES GROUND SMOOTH

FINISH:

INDUSTRIAL GRADE CRIMSON RED, TEXTURED BAKED ENAMEL PAINT IN SIDE AND OUT. OPTIONAL EPOXY COAT INSIDE & OUT AVAILABLE

FILTER ACCESS:

EASY FRONT ACCESS THROUGH FILTER CAPS

MOTOR

SINGLE SPEED, 3 HP, 3 PHASE, 208-230/460V, 60 HZ, TEFC MOTOR. OPTIONAL 5 HP, AVAILABLE FOR HIGH STATIC APPLICATIONS

BLOWER:

DIRECT DRIVE, HIGH STATIC, BACKWARD INCLINED IMPELLER

AIR VOLUME:

3 HP—1,200 CFM—CONSULT FAN CURVES FOR SPECIFICS
 5 HP—2,100 CFM—CONSULT FAN CURVES FOR SPECIFICS

FILTER CHANGE INDICATOR:

MAGNEHELIC GAUGE OR PHOTOHELIC GAUGE

FILTRATION:

TWO EA. HIGH EFFICIENCY, 80/20 BLEND, FIRE-RETARDANT CARTRIDGE FILTERS, 174 SF MEDIA PER FILTER, 348 SF TOTAL MEDIA
 *MULTIPLE CARTRIDGE MEDIA OPTIONS AVAILABLE

CONTROLS:

SOLID STATE TIMER BOARD, FACTORY WIRED AND INSTALLED, MOTOR STARTER/OVERLOAD PROTECTION STANDARD

INLET / EXHAUST:

6" OR 8" DIA INLET COLLAR, LOCATED FRONT OR TOP
 EXHAUST - OUT BOTTOM OF UNIT / UPBLAST TRANSITION AVAILABLE

MAX CURRENT

3 HP, 230/460V—9.6 / 4.8 AMP
 5 HP, 230/460V—15.0 / 7.5 AMP

NOISE LEVELS:

3 HP—75 dBA @ 5' FROM EXHAUST
 5 HP—81 dBA @ 5' FROM EXHAUST / 74 dBA @ 5' WITH SILENCER

WIND LOAD RATING:

100 MPH

CABINET PRESSURE RATING:

+/- 20 INCHES WC

COLLECTION OPTIONS:

DUST TRAY WITH SHORT LEGS / HOPPER WITH LONG LEGS

COMPRESSED AIR:

REQUIRES 80—90 PSI CLEAN, DRY AIR & MINIMUM 3/4" AIR LINE

CARTRIDGE CLEANING SYSTEM:

ROTO-PULSE® ROTATING TUBE WITH PRE-DRILLED HOLES. AS AIR IS PULSED INTO THE TUBE, IT ROTATES AND AIR EXITS THE PRE- DRILLED HOLES, PROVIDING A HIGHLY EFFICIENT AND TOTAL CLEANING OF THE CARTRIDGE FILTER

OFF-LINE CARTRIDGE CLEANING:

STANDARD EQUIPMENT DESIGNED TO CLEAN FILTERS AFTER UNIT IS TURNED OFF FOR OPTIMAL OFF-LINE CARTRIDGE CLEANING. TIMER CAN BE ADJUSTED BETWEEN 0 AND 17 MINUTES

SPECIFICATIONS SUBJECT TO CHANGE WITHOUT NOTICE